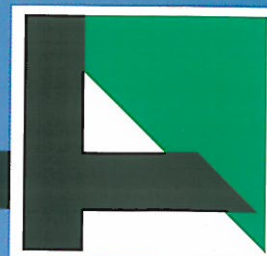
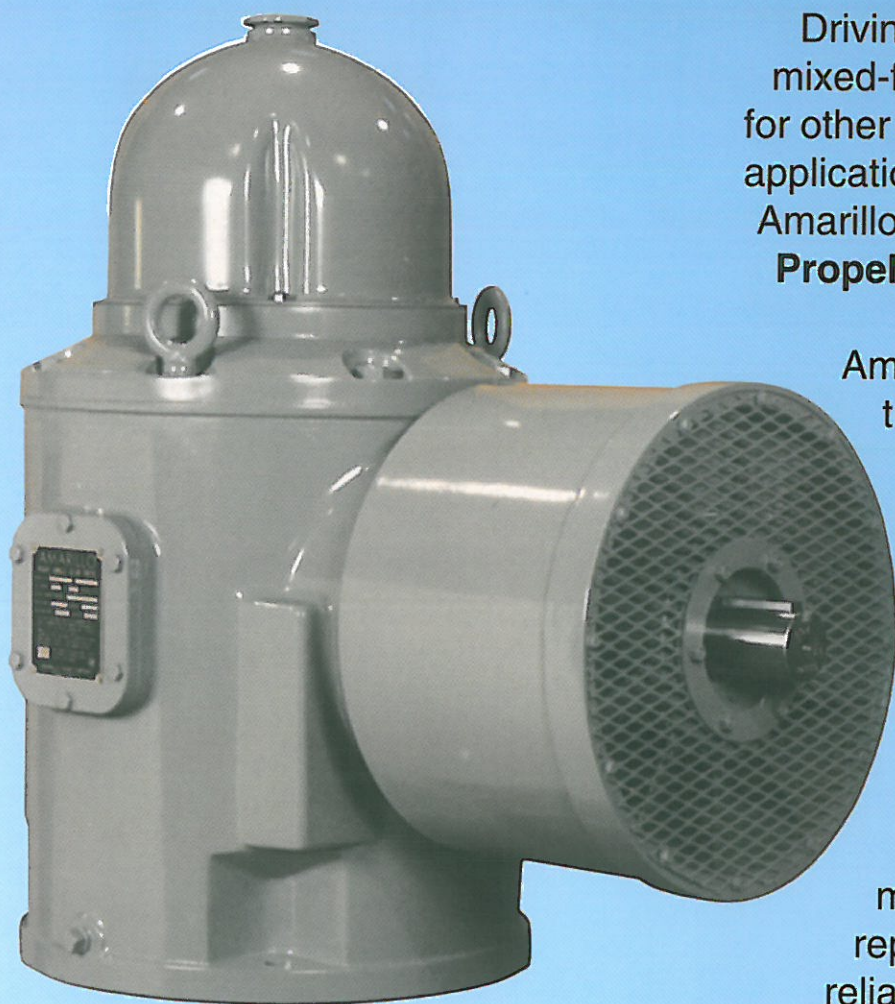


Amarillo® Gear Company



PROPELLER PUMP DRIVE

Driving low speed propeller type or mixed-flow pumps can be a challenge for other gear manufacturers, but these applications pose no problem for Amarillo Gear's exclusively designed **Propeller Pump Drives**.



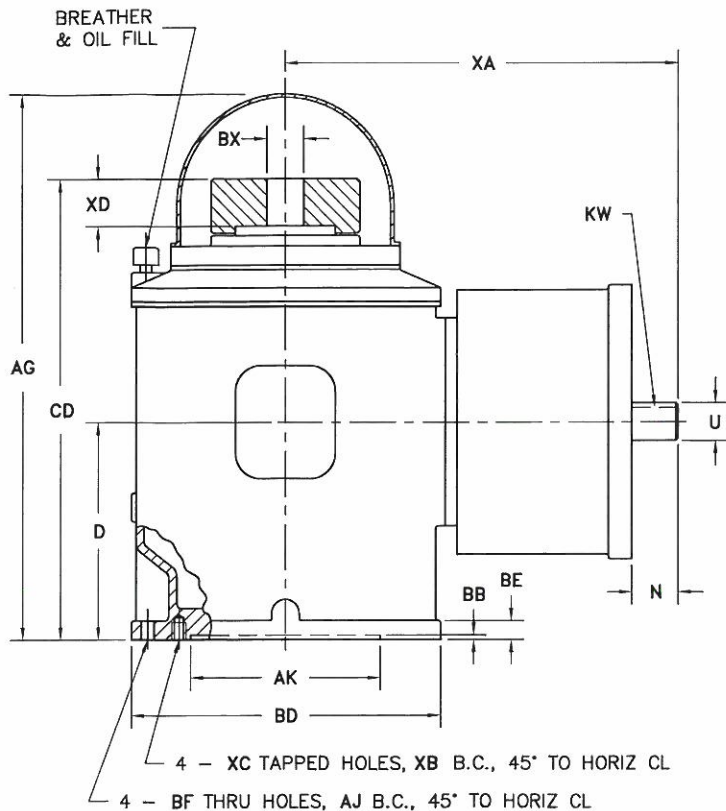
Amarillo Gear has been manufacturing the industry's most dependable spiral bevel right angle gear drives for over 70 years. We offer the **Propeller Pump Drive** product line specifically for the demanding conditions associated with low speed pumps. **Propeller Pump Drives** are engineered and manufactured to meet Amarillo's standard of reputation for both quality and reliability.



Catalog PP 11/04

Post Office Box 1789 • Amarillo, TX 79105 • 2401 Sundown Lane (79118) 806•622•1273 • FAX 806•622•3258
www.amarillogear.com e-mail: info@amarillogear.com

©AGC 2004



DIMENSIONS (in.)

MODEL	P3	P5	P6	P8
D	11 1/2	13 3/4	17	18
N	3 7/16	4 1/16	5	7
N 3:1 AND GREATER	--	--	--	5 1/2
U	1.999	2.436	3.748	3.998
U 4:1 AND GREATER	1.874	--	--	--
U 3:1 AND GREATER	--	--	3.186	3.748
KW	1/2 x 1/4	5/8 x 5/16	7/8 x 7/16	1 x 1/2
KW 4:1 AND GREATER	3/8 x 3/16	--	--	--
KW 3:1 AND GREATER	--	--	3/4 x 3/8	7/8 x 7/16
AG	29 3/4	36	50 1/8	54
CD	24 3/8	29 1/4	38 5/8	45
AJ	14 3/4	18 1/4	28 3/4	28 3/4
AK	② 13.500	13.500	22.000	22.000
BB	1/4	1/4	1/4	1/4
BD	16 1/2	20	30 1/2	30 1/2
BE	1	1 1/8	1 7/8	1 7/8
BF	11/16	11/16	1 1/16	1 1/16
XA	22 1/16	21 1/2	35 1/8	40
XA 3:1 AND GREATER	--	--	25 1/2	28 1/2
XB	--	14 3/4	26	26
XC	--	5/8 -11NC	3/4 -10NC	3/4 -10NC
XD	2 1/2	3	3 3/4	5
BX MAX	2 3/16	2 3/4	4	① 4
WT LBS	580	1020	2280	3145

NOTES:

- A. MODELS P3 & P5 HAVE A 100 RPM MINIMUM VERTICAL (PUMP) SHAFT SPEED. FOR P6 & P8, THE MINIMUM VERTICAL (PUMP) SHAFT SPEED IS 250 RPM.
B. MODELS P3 & P5 HAVE A MAXIMUM INSTALLATION TILT ANGLE OF 60° FROM VERTICAL. FOR MODELS P6 & P8, CONTACT THE FACTORY.

① 4-1/4 in. BORE AVAILABLE IN MODEL P8 AT EXTRA COST.

② P3 REQUIRES A DISCHARGE BASE OPENING OF AT LEAST 9-1/4 in. DIAMETER.

POWER (hp) AND THRUST RATINGS (lbs)

MODEL	VERT SHAFT RPM	THRUST RATING	RATIO								
			2.0	2.5	3.0	3.5	4.0	4.5	5.0	5.5	6.0
P3	250	10900	75	92	85	79	83	77	72	67	67
	340	9950	100	120	112	98	107	103	96	90	88
	430	9250	129	142	139	115	126	121	115	112	110
	580	8500	174	175	171	142	155	150	143		
	720	8100	211	204	199	165	181				
	870	7700	242	233	227	189					
	960	7500	260	250	244						
P5	250	13000	148	174	192	145	145	145	145	139	138
	340	11900	201	231	238	192	192	192	192	185	184
	430	11100	254	286	281	238	238	238	238	229	228
	580	10150	343	367	346	313	313	313	313		
	720	9500	426	427	403	380	380				
	870	9000	488	488	460						
P6	250	32980	263	279	255	257	225	228	212	205	190
	340	30075	349	369	337	341	298	302	281	272	252
	430	28060	432	457	418	422	369	374	348	337	312
	580	25590	558	564	547	523	483	490	456		
	720	23920	649	657	645	609	586				
	870	22615	741	750	736						
P8	250	32980	441	416	395	370	360	354	334	341	305
	340	30075	583	551	523	490	477	469	442	451	404
	430	28060	721	681	646	606	590	580	547	557	499
	580	25590	943	891	845	792	771	758	715		
	720	23920	1142	1079	1024	959					
	870	22615	1350	1273							

POWER RATINGS INCLUDE A 1.5 SERVICE FACTOR.

CONTACT FACTORY FOR APPLICATIONS NOT COVERED IN THE ABOVE TABLES.